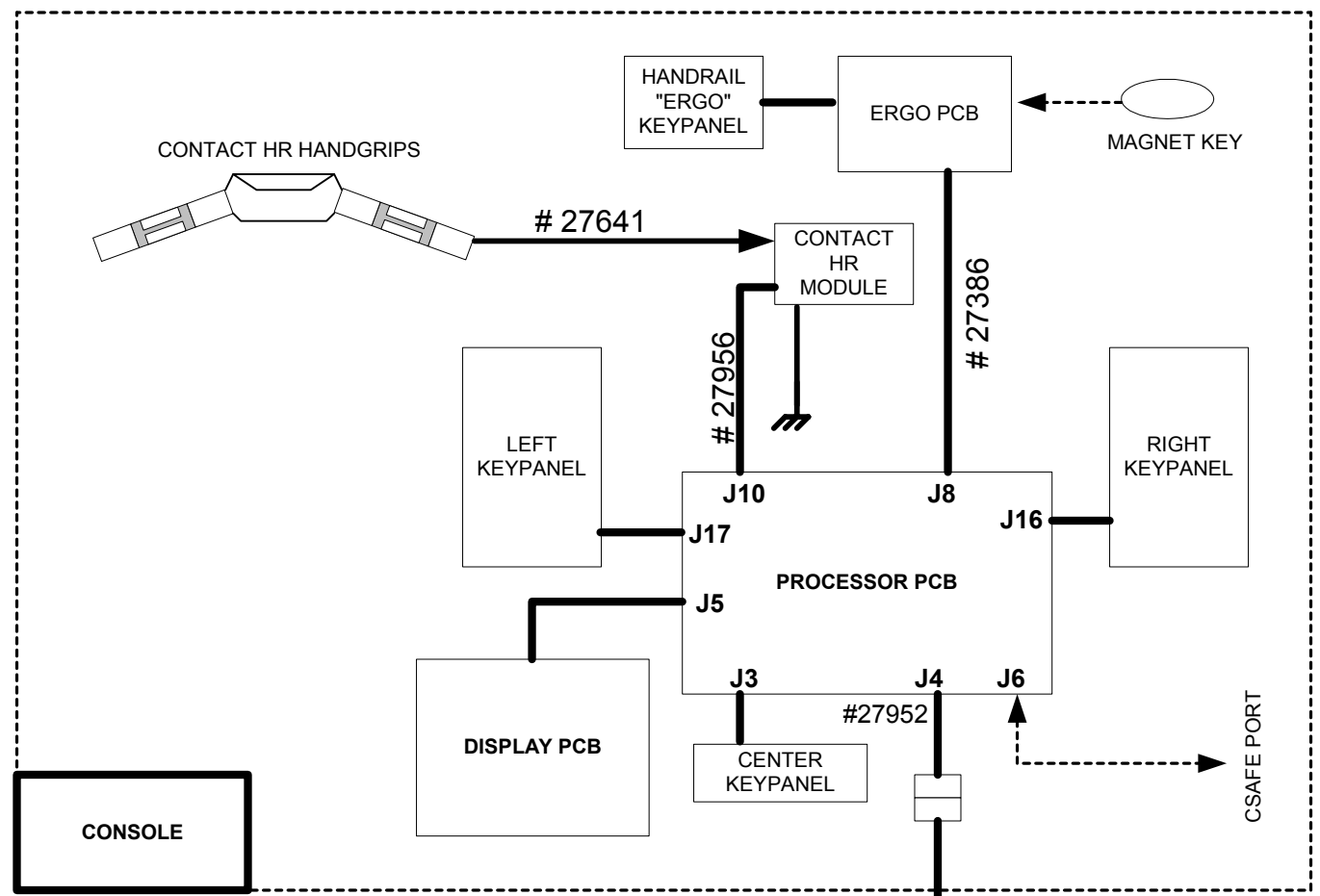
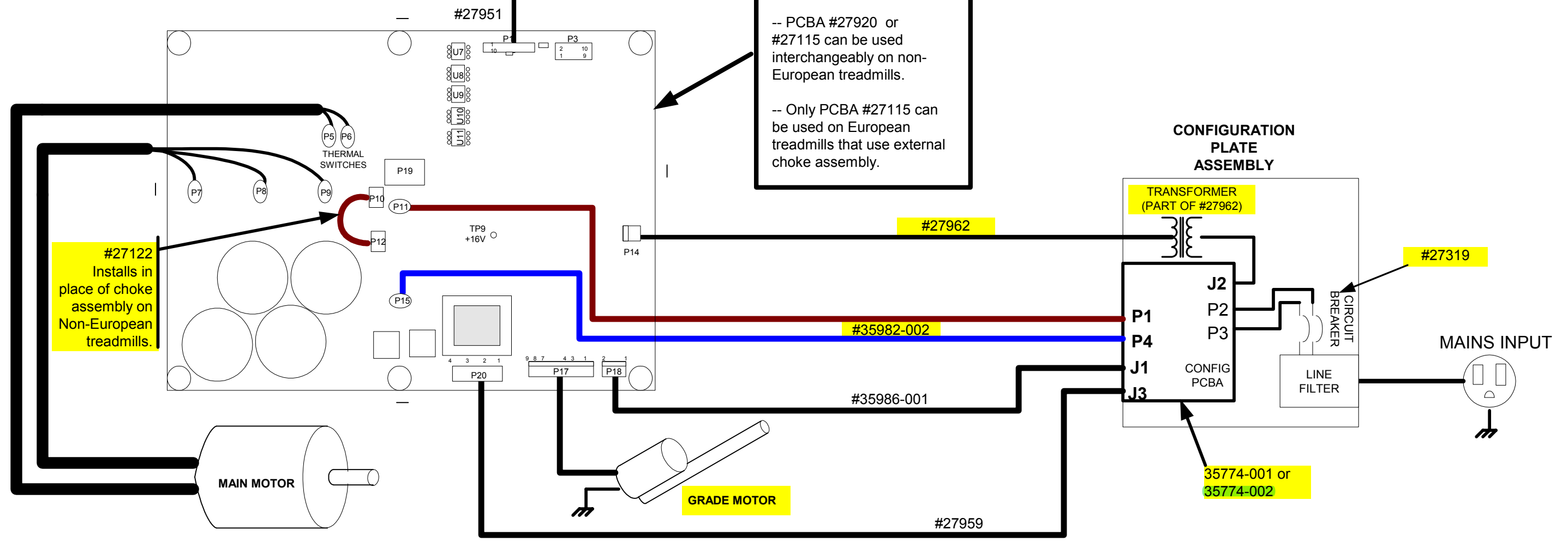


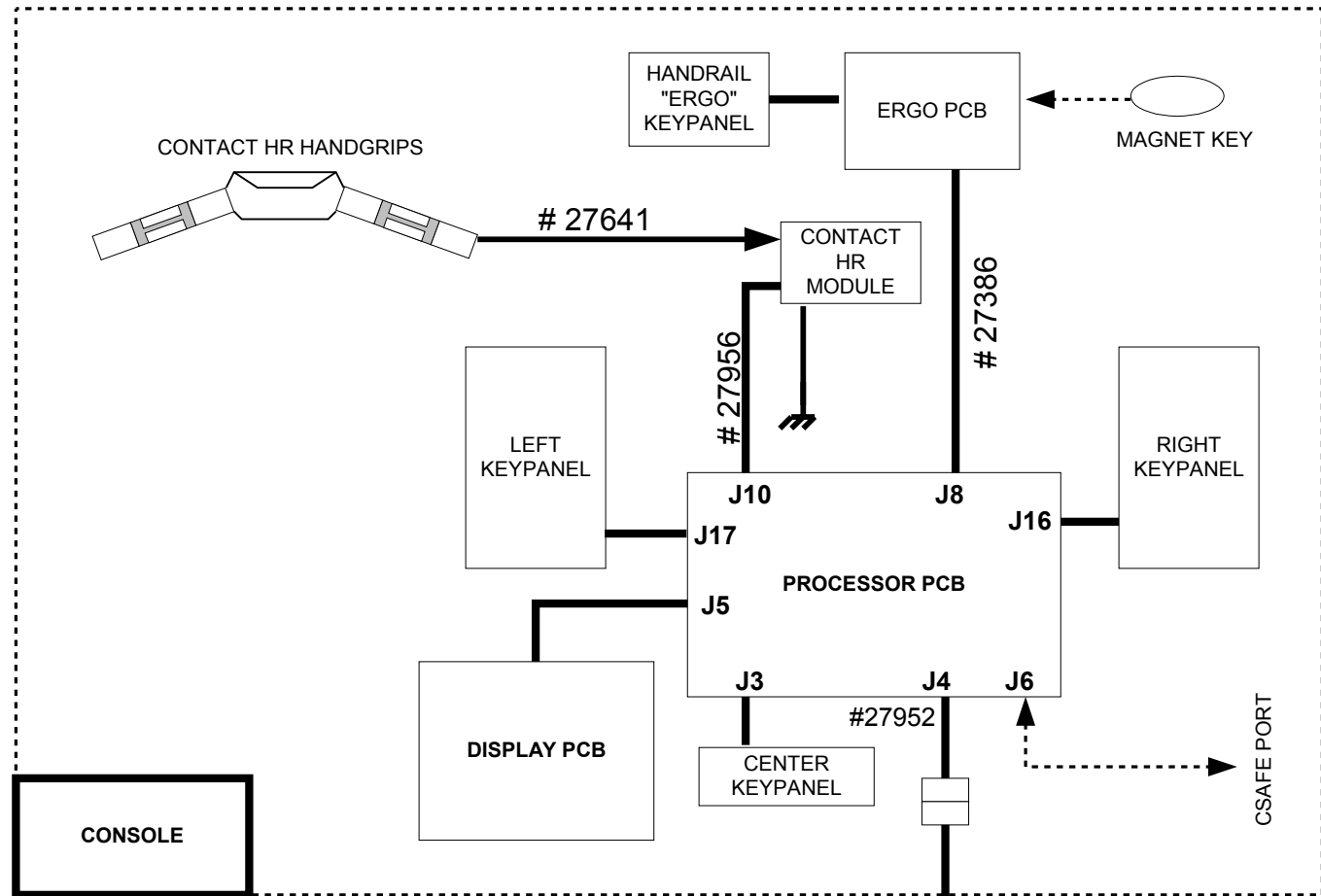
NAUTILUS -- STAIRMASTER
 CLUBTRACK 2100LE/LC TREADMILL
120V VERSIONS
 TOP-LEVEL WIRING
 T. BROWN 9/12/03



AC DRIVE BOARD
 -- PCBA #27920 or #27115 can be used interchangeably on non-European treadmills.
 -- Only PCBA #27115 can be used on European treadmills that use external choke assembly.

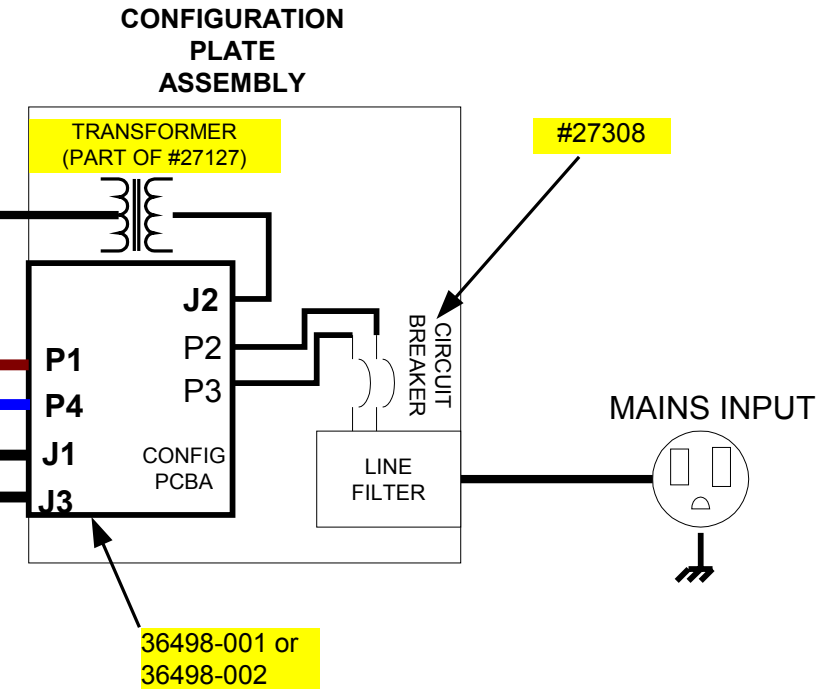
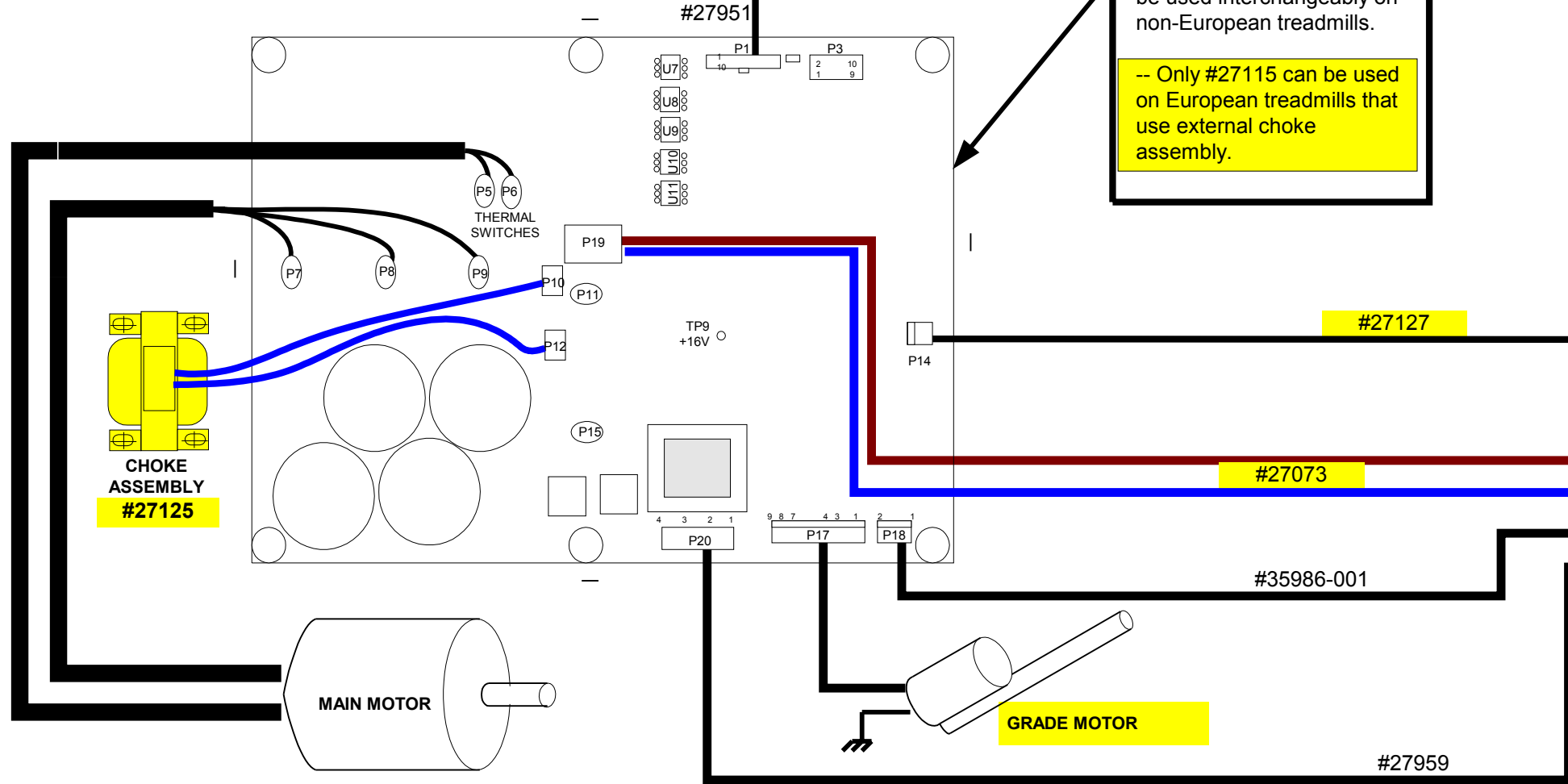


NAUTILUS -- STAIRMASTER
 CLUBTRACK 2100LE/LC TREADMILL
230V EUROPEAN CE
 TOP-LEVEL WIRING
 T. BROWN 9/12/03

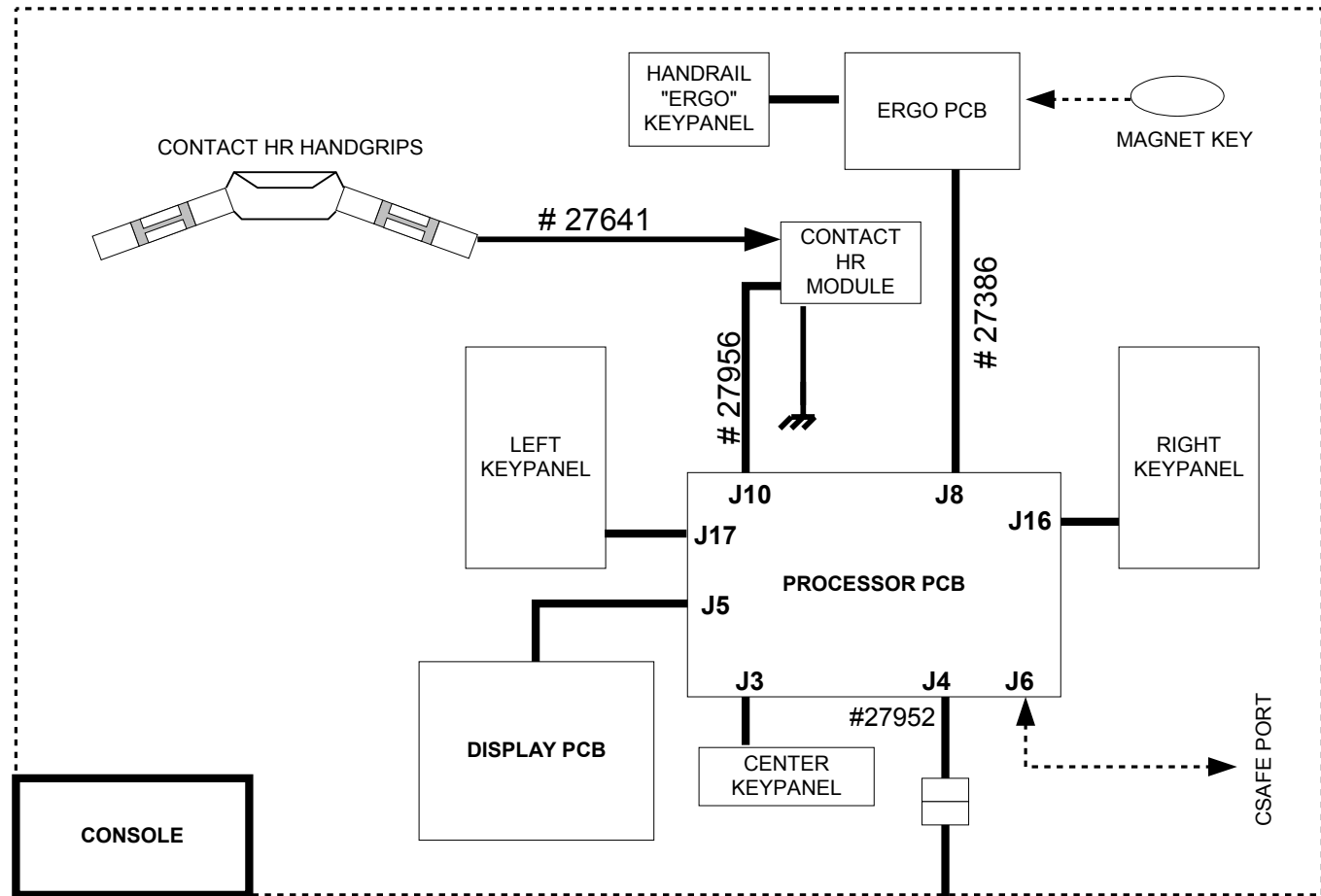


CONSOLE

AC DRIVE BOARD
 -- #27920 or #27115 can be used interchangeably on non-European treadmills.
 -- Only #27115 can be used on European treadmills that use external choke assembly.



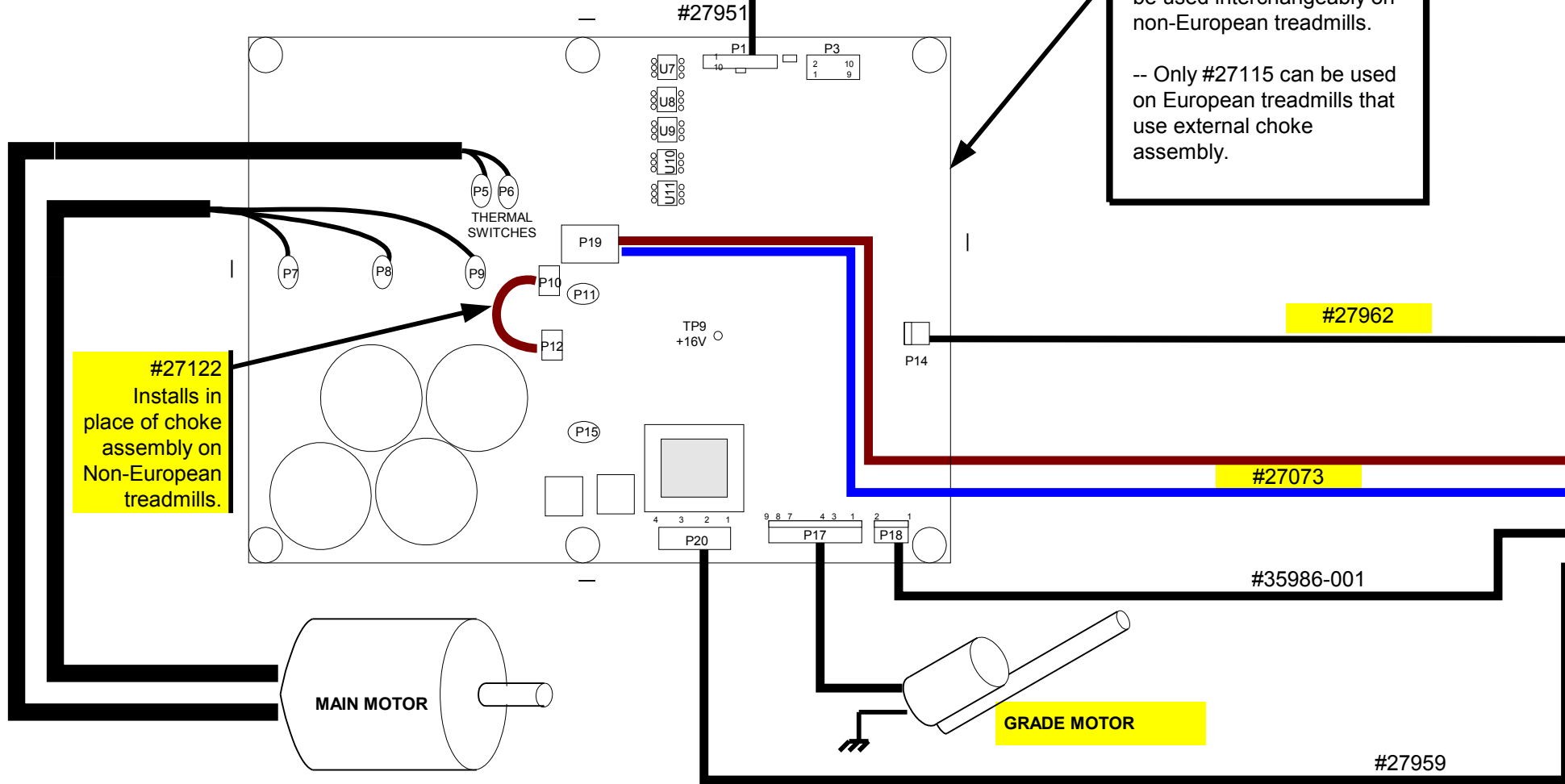
NAUTILUS -- STAIRMASTER
 CLUBTRACK 2100LE/LC TREADMILL
230V NON-EUROPEAN
 TOP-LEVEL WIRING
 T. BROWN 9/12/03



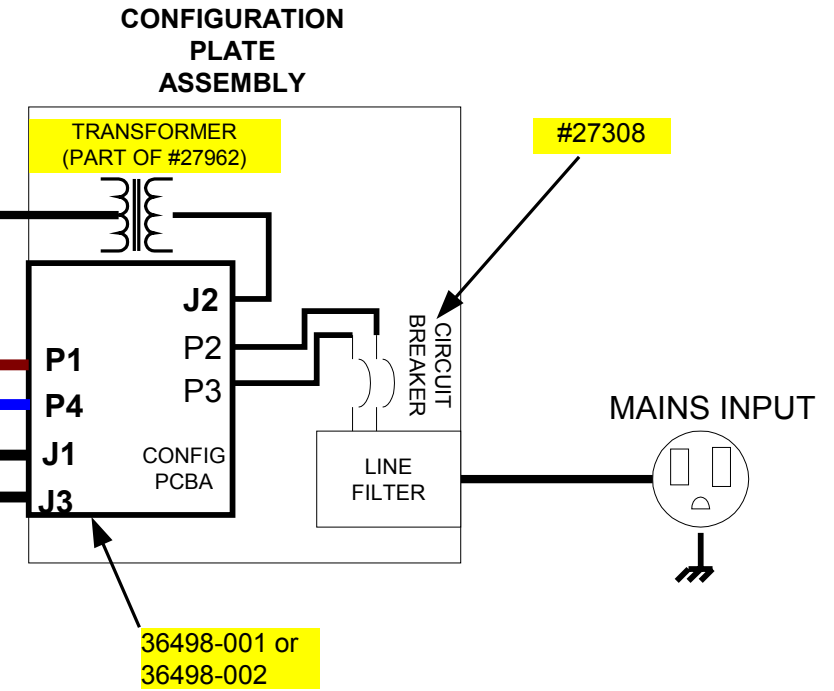
AC DRIVE BOARD

-- #27920 or #27115 can be used interchangeably on non-European treadmills.

-- Only #27115 can be used on European treadmills that use external choke assembly.



#27122
 Installs in place of choke assembly on Non-European treadmills.



36498-001 or 36498-002